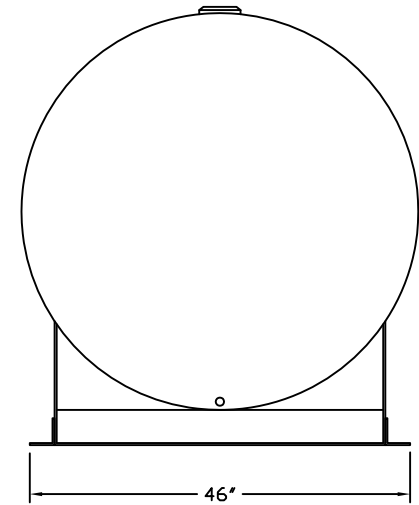
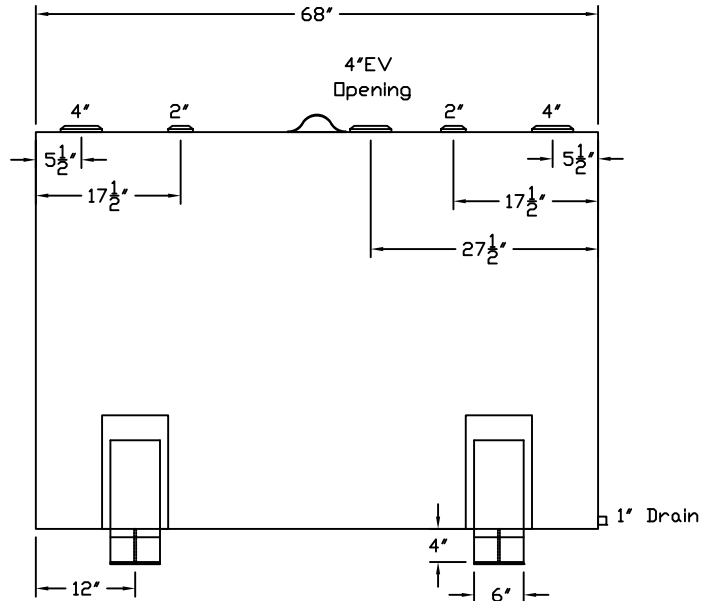
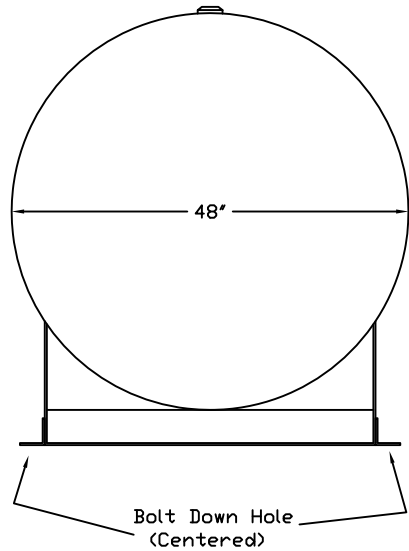


Bart's Electrical Service
Fuel gald
(213) 595-5075

Tank For Stationary Use Only

Capacity 520 Gallons Heads Primary 12 Gauge Paint Ext. Red Primer
 Design Aboveground Singlewall Shell Primary 12 Gauge Paint Int. _____
 Code UL 142 Heads Secondary _____ Weight Empty 700 lbs.
 Test Pres. 5 PSI Shell Secondary _____ Rev.# _____ Date: _____



Customer: _____ Drg. Date: _____

Drawing Approved By: _____

Quoted Lead Times Begin Upon Receipt of signed Approved Drawing, Which Must be Returned Before Production Can Begin.