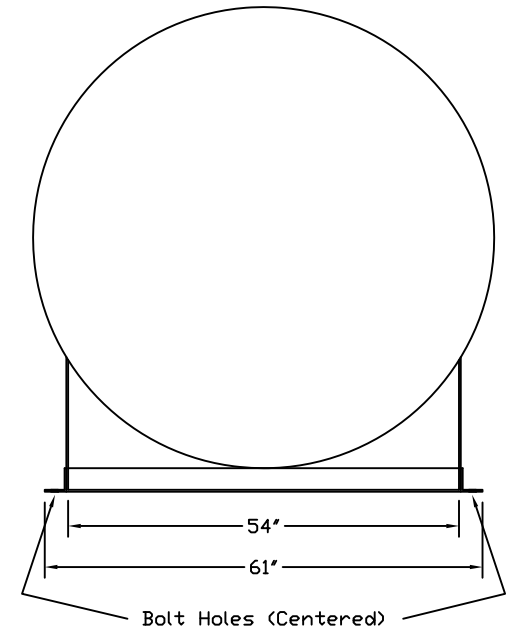
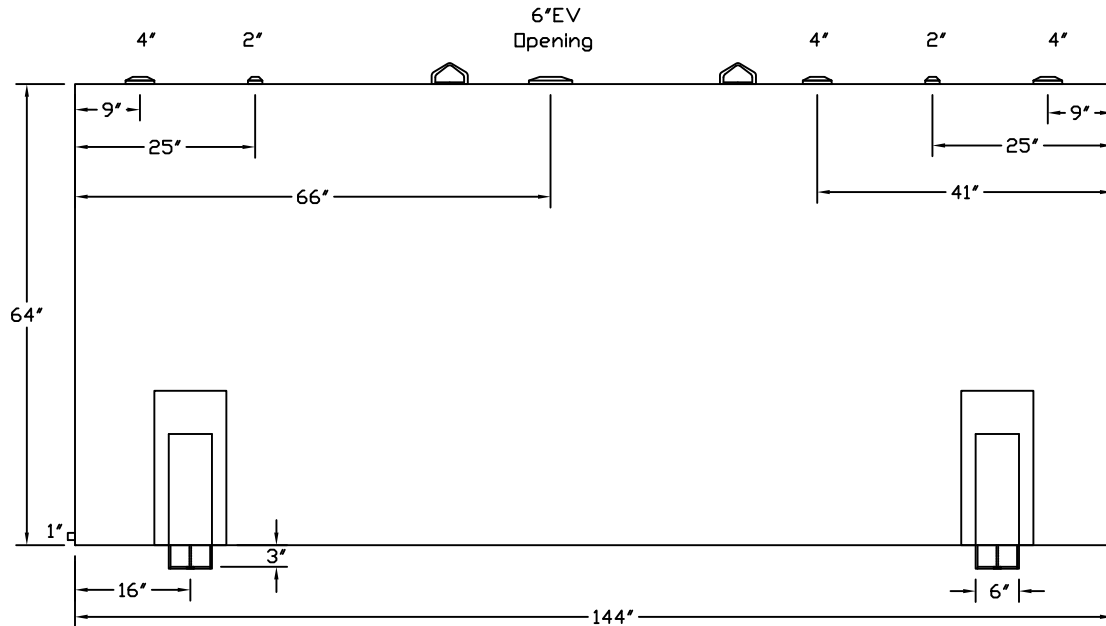


Bart's Electrical Service
Fuel gard
(213) 595-5075

Tank For Stationary Use Only

Capacity	2,000 Gallons	Heads Primary	7 Gauge	Paint Ext.	Red Primer
Design	Singlewall	Shell Primary	7 Gauge	Paint Int.	-----
Code	UL 142	Heads Secondary	-----	Weight Empty	2,150 lbs.
Test Pres.	5 PSI	Shell Secondary	-----	Rev.#	Date:



Customer: _____ Drg. Date: _____

Quoted Lead Times Begin Upon Receipt of signed Approved Drawing, Which Must be Returned Before Production Can Begin.

Drawing Approved By: _____