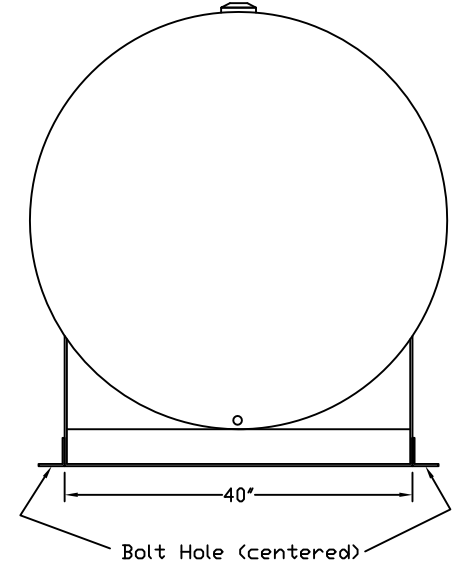
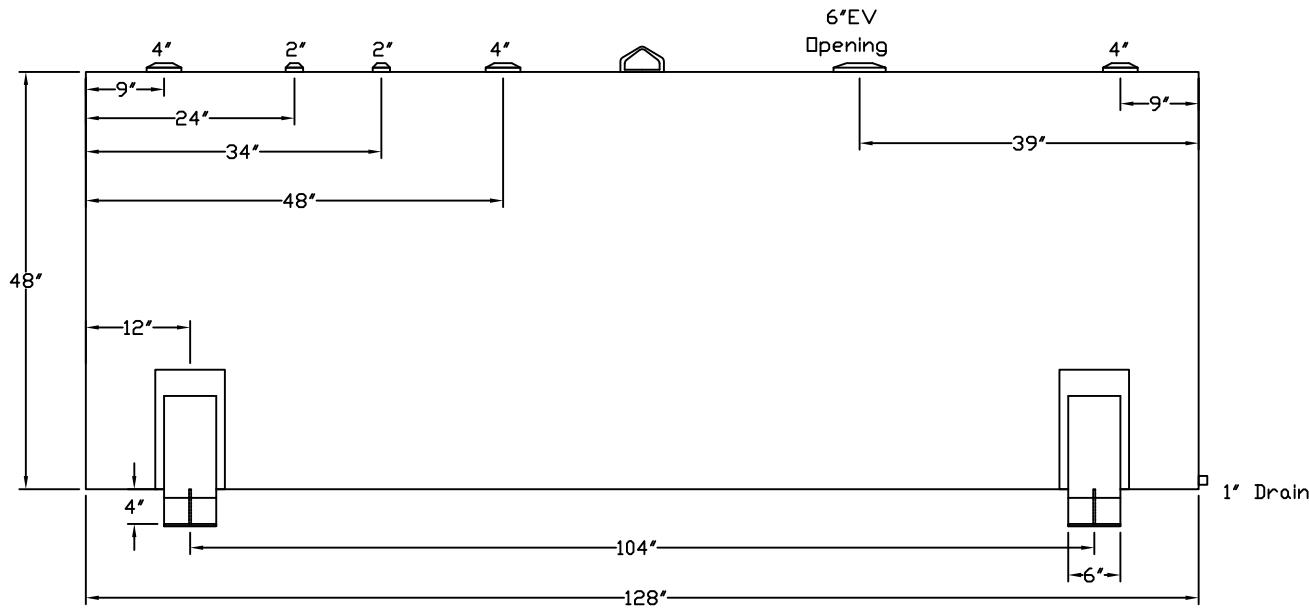


Bart's Electrical Service
Fuel gard
(213) 595-5075

Tank For Stationary Use Only

Capacity	1,000 Gallons	Heads Primary	10 Ga.	Paint Ext.	Red Primer
Design	Single Wall	Shell Primary	10 Ga.	Paint Int.	
Code	UL 142	Heads Secondary		Weight Empty	1,300 lbs.
Test Pres.	5 PSI	Shell Secondary		Rev.#	Date:



Customer: _____ Drg. Date: _____

Quoted Lead Times Begin Upon Receipt of signed Approved
 Drawing, Which Must be Returned Before Production Can Begin.

Drawing Approved By:
