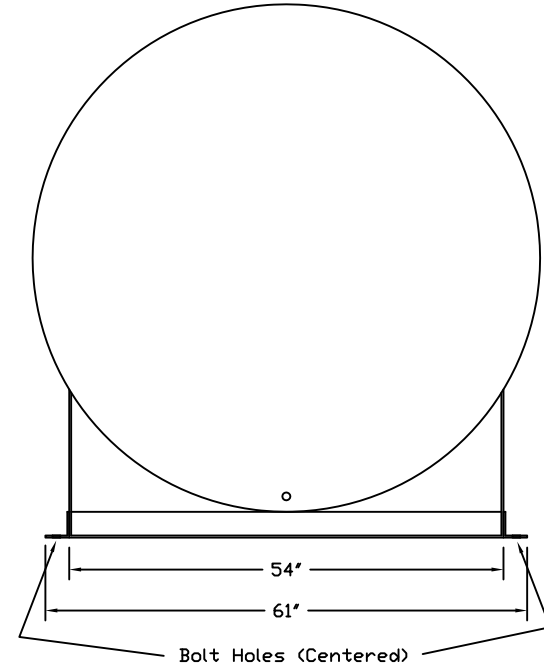
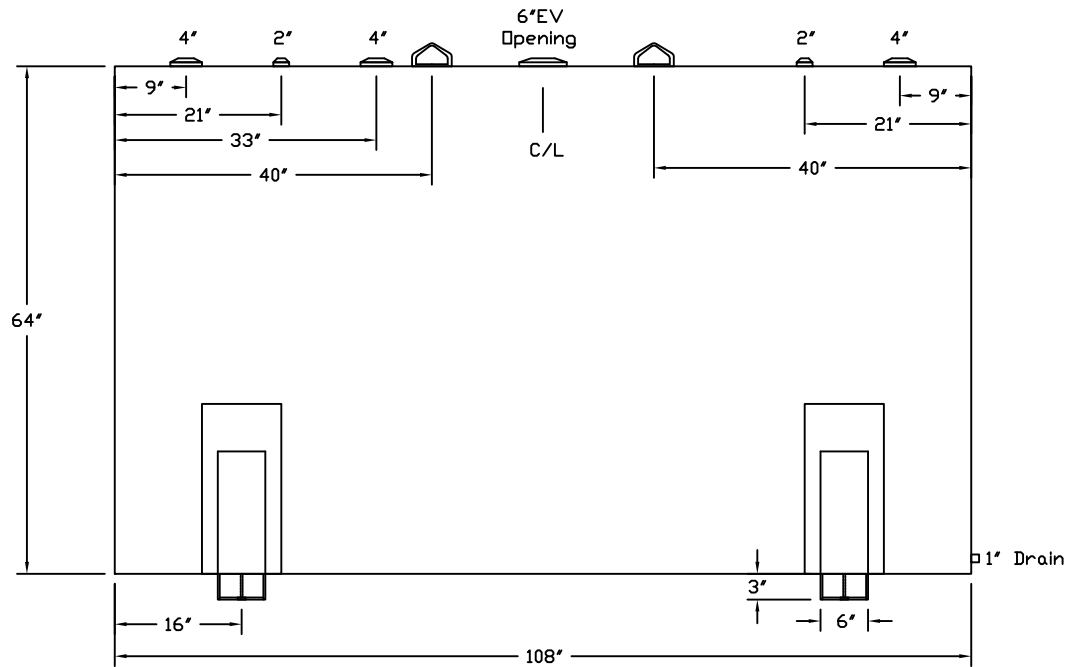


Bart's Electrical Service
Fuel gard
(213) 595-5075

Tank for stationary use only

Capacity _____ 1,500 Gallons _____ Heads Primary _____ 7 Gauge _____
 Design _____ Singlewall _____ Shell Primary _____ 7 Gauge _____
 Code _____ UL 142 _____ Heads Secondary _____ _____
 Test Pres. _____ 5 PSI _____ Shell Secondary _____ _____
 Paint Ext. _____ Red Primer _____
 Paint Int. _____ _____
 Weight Empty _____ 1,850 lbs. _____
 Rev.# _____ Date: _____



Customer: _____ Drg. Date: _____

Quoted Lead Times Begin Upon Receipt of signed Approved Drawing, Which Must be Returned Before Production Can Begin.

Drawing Approved By: _____