

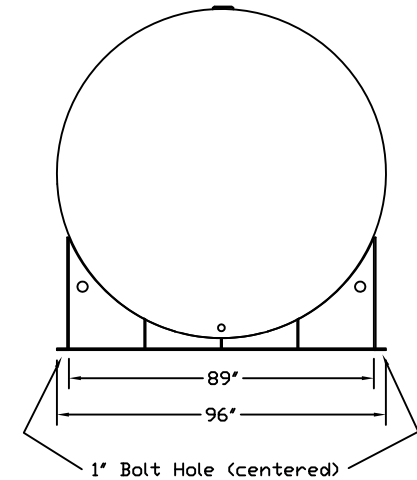
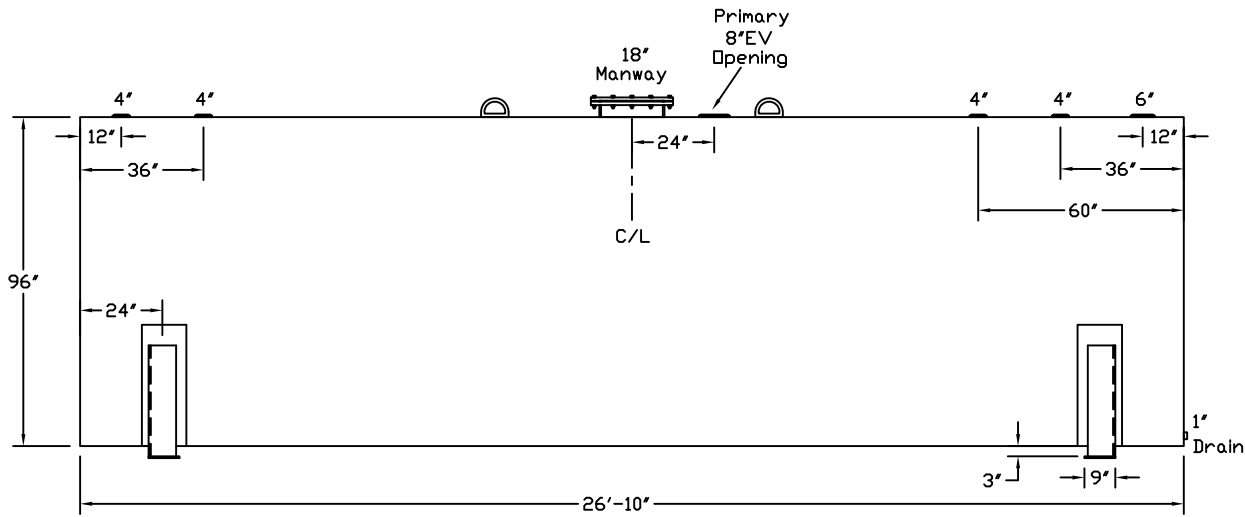
Bart's Electrical Service
Fuel gard
(213) 595-5075

Tank For Stationary Use Only

Capacity 10,000 Gallons
 Design Singlewall
 Code UL 142
 Test Pres. 5 PSI

Heads Primary 1/4"
 Shell Primary 1/4"
 Heads Secondary _____
 Shell Secondary _____

Paint Ext. Red Primer
 Paint Int. _____
 Weight Empty 10,000 lbs.
 Rev.# _____ Date: _____



Customer: _____ Drg. Date: _____

Quoted Lead Times Begin Upon Receipt of signed Approved Drawing, Which Must be Returned Before Production Can Begin.

Drawing Approved By: _____