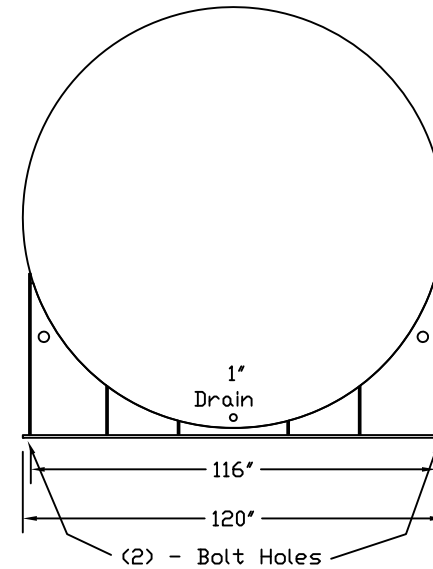
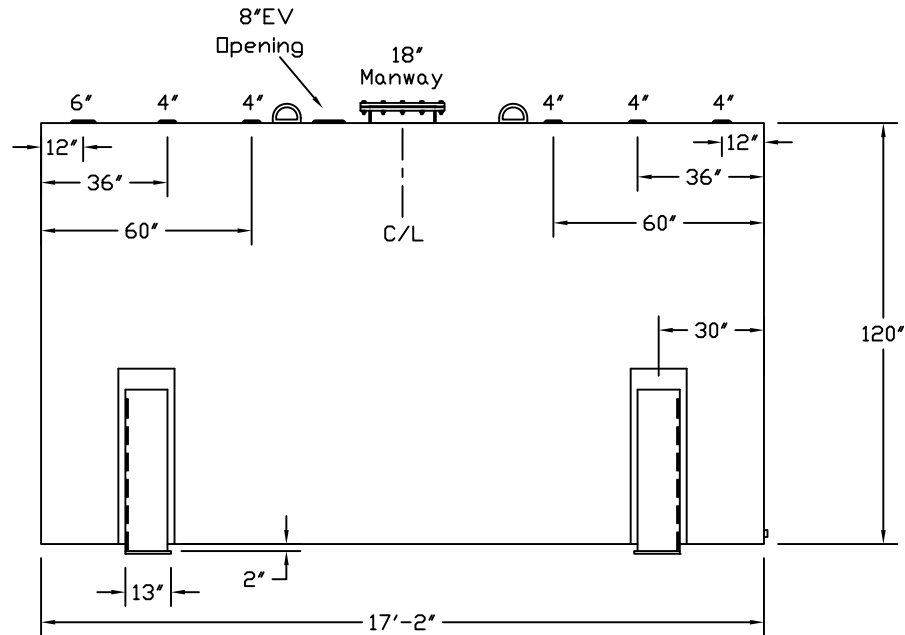


Bart's Electrical Service
Fuel gard
(213) 595-5075

Tank For Stationary Use Only

| | | | | | |
|------------|----------------|-----------------|------|--------------|-------------|
| Capacity | 10,000 Gallons | Heads Primary | 1/4" | Paint Ext. | Red Primer |
| Design | Singlewall | Shell Primary | 1/4" | Paint Int. | |
| Code | UL 142 | Heads Secondary | | Weight Empty | 10,450 lbs. |
| Test Pres. | 5 PSI | Shell Secondary | | Rev.# | Date: |



Customer: _____ Drg. Date: _____

Drawing Approved By: _____

Quoted Lead Times Begin Upon Receipt of signed Approved Drawing, Which Must be Returned Before Production Can Begin.